

Capacitive sensors for aggressive, corrosive media | KGF 030 GSP

- Capacitive filling level monitor / filling level switch for the reliable monitoring of the maximum or minimum filling level of fluids or bulk materials
- With PTFE housing: For use in aggressive media
- Compact cylindrical design with thread (M14, M30, G3/4') for ease of assembly
- Suitable for tight spaces

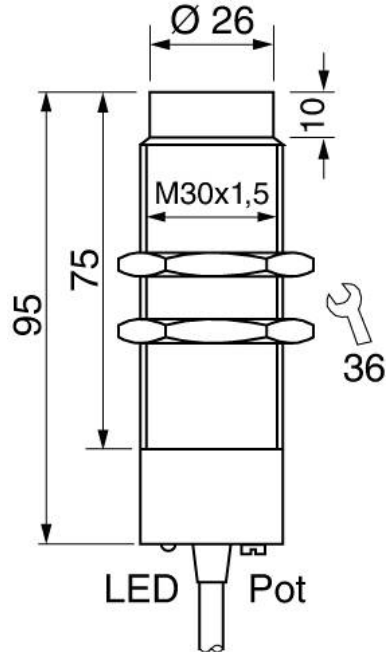


M30x1.5 - Output PNP NO

TYPE	KGF 030 GSP
Product ID	P20051
Switching Point	-3 mm
Output	switching output
Output function	PNP-NO
Supply voltage	10 ... 55 VDC
Current consumption max.	4 mA
Short circuit proof	yes
Overcurrent release	800 mA
Reverse polarity protection	✓
Voltage drop max.	1 V
Switching frequency	10 Hz
Ambient temperature	-25 ... 75 °C
EMC-class	A
Material sensor touched by medium	PTFE
Material housing	PTFE

Display	✓
Protection [EN 60529]	IP 67
Accessories (in scope of delivery)	2 x lock nut M30x1,5 , screwdriver

Technical Image



Pin Map

