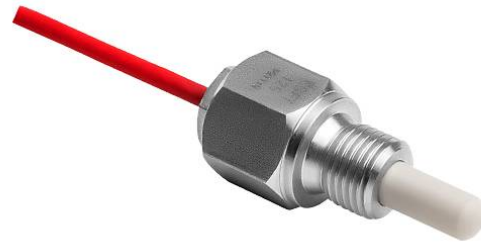


# Capacitive sensors for high-temperature use

## | KGFT 125

Filling level monitor for high temperature 180° C /200° C/ 230° C with PEEK or PTFE tip

Capacitive filling level monitors / filling level switches for the reliable monitoring of the maximum or minimum filling level of fluids or bulk materials

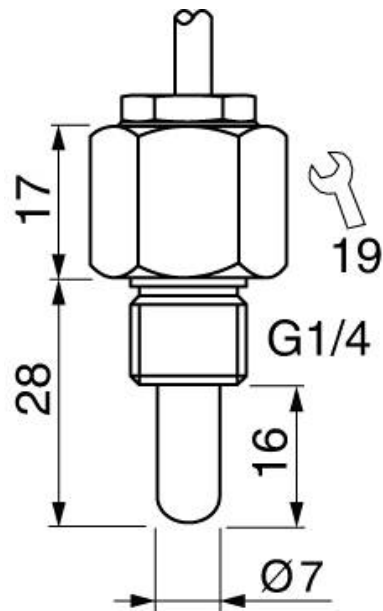


- Compact, space-saving design
- For use in aggressive media
- Steam-resistant version available

### G1/4 - 200 °C

<b>TYPE</b>	KGFT 125
<b>Product ID</b>	P21119
<b>Switching Point</b>	-6 mm
<b>Ambient temperature</b>	-35 ... 200 °C
<b>Compressive strength (at 25°C)</b>	30 bar
<b>Material sensor touched by medium</b>	PEEK
<b>Material housing</b>	stainless steel AISI 316 Ti
<b>Seal material</b>	PTFE
<b>Protection [EN 60529]</b>	IP 68
<b>Protection [EN 60529] LEM connection</b>	IP 54
<b>Electrical connection</b>	2 m PTFE cable with LEM 01-plug system
<b>Associated amplifiers</b>	KK 030 GSP, KU 120..., KUA 120...

Technical Image



Pin Map

