

Capacitive sensors for use down to -230 °C | KGFP 051

Capacitive filling level monitors for detecting liquid gases or super-cooled granulate down to -230° C

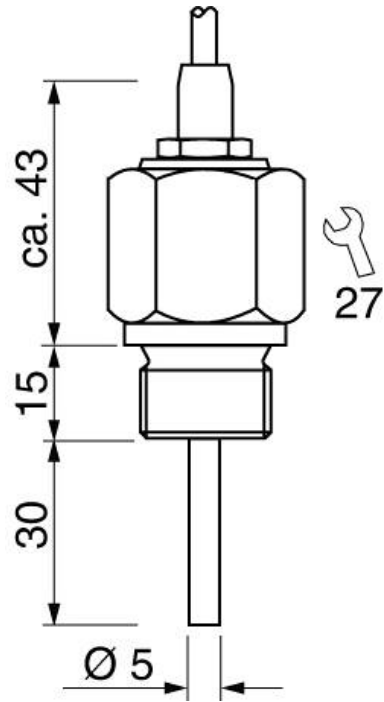
Series KGFP filling level switch for the reliable monitoring of the maximum or minimum filling level of fluids or bulk materials



- Issues a switching signal when in contact with the medium
- For the detection of media down to a temperature of -230° C
- For the monitoring of cryogenic processes
- **for granulates**

TYPE	KGFP 051
Product ID	P21196
Ambient temperature	-230 ... 80 °C
Cable temperature	-80 ..+120 °C
Material sensor touched by medium	stainless steel AISI 316 Ti, PCTFE
Material housing	stainless steel AISI 316 Ti
Protection [EN 60529]	IP 68
Protection [EN 60529] LEM connection	IP 67
Electrical connection	2 m FEP cable with Lem 02-plug system
Accessories	connecting cable SLG 3... or SLW 3...
Associated amplifiers	KU 125 GPP

Technical Image



Pin Map

