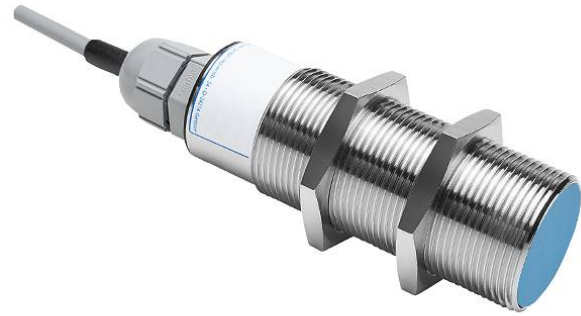


Inductive sensor of high standard / for heightened requirements | IGMS 010 WP

- Inductive proximity switches resistant against electromagnetic interference which might arise from cables or radiation.
- For use in systems with challenging EMC conditions
- Customer-specific adaptations
- For the detection of metallic objects,
- presence detection,
- Position and movement monitoring,
- Object counting and
- Speed control on conveyor belts



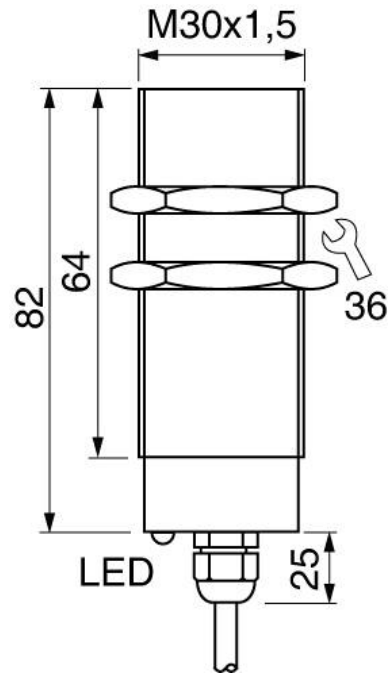
M30x1,5 - sn 10 mm flush - Output 2-wire AC programmable

TYPE	IGMS 010 WP
Product ID	P30015
Thread/sleeve	M30x1,5
Operating Distance sn	10 mm flush
Output	switching output
Supply voltage	20...250 VAC
Current consumption max.	2.5 mA
Switching current max.	400 mA
Short circuit proof	no
Voltage drop max.	6 V
Minimum load current	5 mA
Switching frequency	25 Hz
Ambient temperature	-25 ... 75 °C
EMC-class	A
Material housing	brass-Ni, PBT
Material thread	Br-Ni
Material cap	PBT
Display	✓
Protection [EN 60529]	IP 67

Electrical connection

2 m PVC-cable 2x0,5 mm²

Technical Image



Pin Map

