

# Specially sealed sensors - climatic proofed for use in a temperature range up to 120°C | IGFW 015 WS

- For use in wet and warm processes and aggressive fluids
- Resistant to roller oil
- For use at temperatures up to 120°C
- Climatic proofed
- For use in environments with heavily seeping oil
- For use in the steel industry



**M30x1,5 - sn 14 mm non flush - Output 2-wire  
AC NO**

<b>TYPE</b>	IGFW 015 WS
<b>Product ID</b>	P30638
<b>Thread/sleeve</b>	M30x1,5
<b>Operating Distance sn</b>	14 mm non-flush
<b>Temperature deviation (25...70°C)</b>	10 %
<b>Temperature deviation (25...120°C)</b>	20 %
<b>Output</b>	switching output
<b>Output function</b>	relay
<b>Supply voltage</b>	20...250 VAC
<b>Current consumption max.</b>	2.5 mA
<b>Switching current max.</b>	400 mA
<b>Voltage drop max.</b>	5 V
<b>Minimum load current</b>	5 mA
<b>Switching frequency</b>	20 Hz
<b>Ambient temperature</b>	-25 ... 120 °C
<b>EMC-class</b>	A
<b>Material housing</b>	PTFE
<b>Material thread</b>	PTFE
<b>Material cap</b>	PTFE

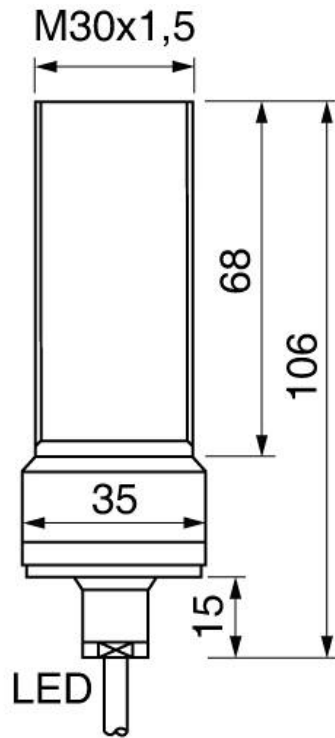
Protection [EN 60529]

IP 68 + IP 69K

Electrical connection

2 m silicone-cable 2x0.75 mm<sup>2</sup>

Technical Image



Pin Map

