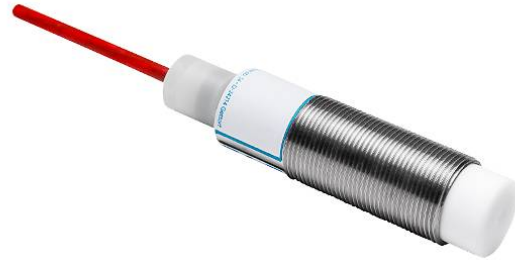


Specially sealed sensors - climatic proofed for use in a temperature range up to 120°C | IGMF 08 GSP

- For use at temperatures up to 120°C
- Climatic proofed Water-tight and resistant to high pressure cleaning
- For use in cleaning processes
- Detection of baskets, trolleys, objects in washing plant
- For use in the food processing, steel and paper industries



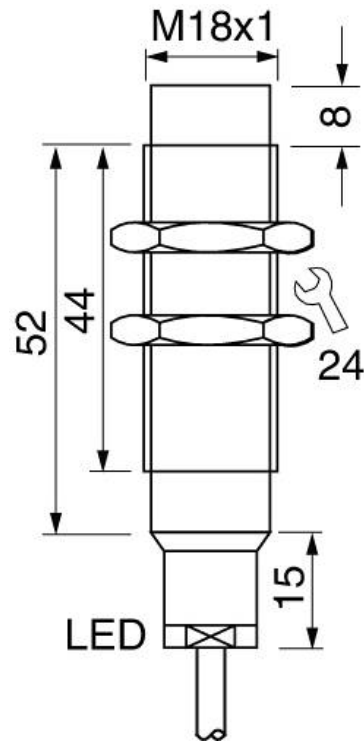
M18x1 - sn 7 mm non flush - Output PNP NO

TYPE	IGMF 08 GSP
Product ID	P30703
Thread/sleeve	M18x1
Operating Distance sn	7 mm non-flush
Output	switching output
Output function	PNP-NO
Supply voltage	10...30 VDC
Current consumption max.	4 mA
Residual current	1
Switching current max.	200 mA
Overcurrent release	230 mA
Voltage drop max.	2 V
Residual ripple	10 %
Switching frequency	1000 Hz
Ambient temperature	-25 ... 120 °C
EMC-class	A
Material housing	stainless steel AISI 316 Ti, stainless steel, PTFE
Material thread	stainless steel AISI 316 Ti (A4)
Material cap	PTFE
Protection [EN 60529]	IP 68 + IP 69K

Electrical connection

2 m FEP-cable 3x0.34 mm²

Technical Image



Pin Map

