

Specially sealed sensors - climatic proofed for use in a temperature range up to 120°C | IGMF 008 WO

- For use at temperatures up to 120°C
- Climatic proofed Water-tight and resistant to high pressure cleaning
- For use in cleaning processes
- Detection of baskets, trolleys, objects in washing plant
- For use in the food processing, steel and paper industries

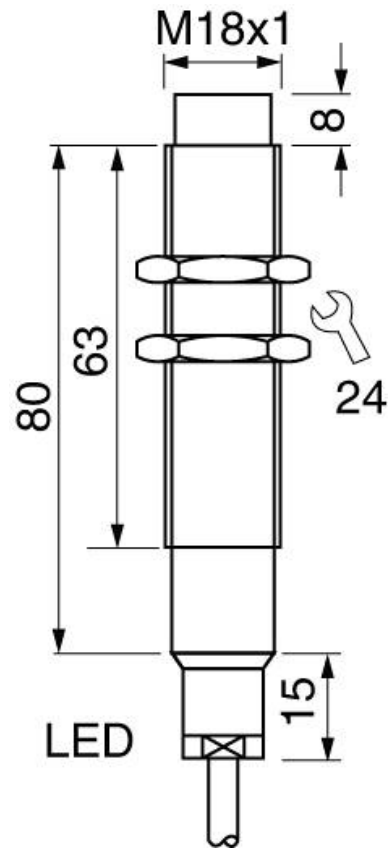


M18x1 - sn 7 mm non flush - Output 2-wire AC NC

TYPE	IGMF 008 WO
Product ID	P31072
Thread/sleeve	M18x1
Operating Distance sn	7 mm non-flush
Output	switching output
Output function	relay NC
Supply voltage	20...250 VAC
Current consumption max.	2.5 mA
Switching current max.	400 mA
Voltage drop max.	5 V
Minimum load current	5 mA
Switching frequency	25 Hz
Ambient temperature	-25 ... 120 °C
EMC-class	A
Material housing	stainless steel AISI 316 Ti, stainless steel, PTFE
Material thread	stainless steel AISI 316 Ti (A4)
Material cap	PTFE
Protection [EN 60529]	IP 68 + IP 69K
Electrical connection	2 m FEP-cable 3x0.75 mm ²

löschen ? Maximum current consumption

Technical Image



Pin Map

