

Sensors for use at high temperatures | IGMT 005 WS

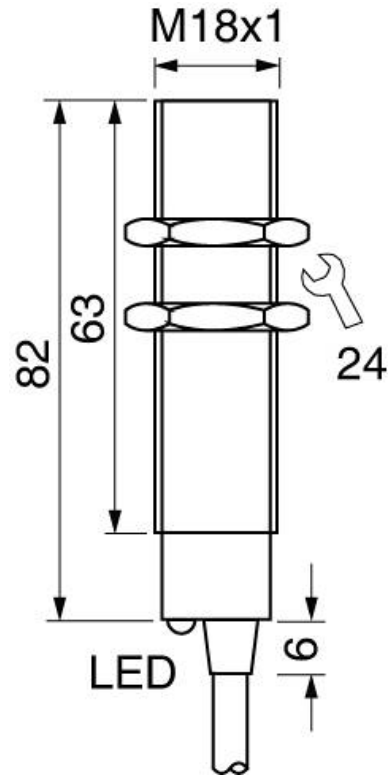
- Inductive proximity switches for the extended temperature range up to 120°
- For use at temperatures from -25° C to 120 ° C
- Water-tight according to IP 67
- Variants with up to 110 mm switching distance
- For example, position query of the conveyor belt in belt dryers



M18x1 - sn 5 mm flush - Output 2-wire AC NO

TYPE	IGMT 005 WS
Product ID	P31118
Thread/sleeve	M18x1
Operating Distance sn	5 mm flush
Output	switching output
Output function	relay
Supply voltage	20...250 VAC
Current consumption max.	2.5 mA
Short circuit proof	no
Voltage drop max.	5 V
Minimum load current	5 mA
Switching frequency	25 Hz
Ambient temperature	-25 ... 120 °C
EMC-class	A
Material housing	brass-Ni, PBT
Material thread	Br-Ni
Material cap	PBT
Display	✓
Protection [EN 60529]	IP 67
Electrical connection	2 m silicone-cable 3x0,75 mm ²

Technical Image



Pin Map

