

Inductive proximity switches with analogue output | IGA 104 GI

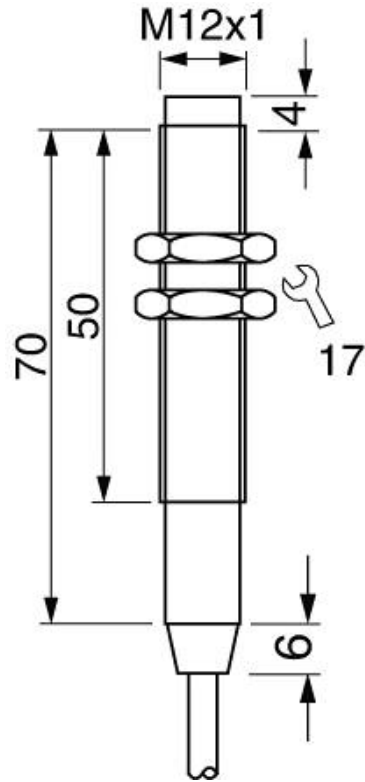
- Analogue proximity sensors
- With current or voltage output
- Measuring range 0...10 mm
- Metal sleeve for use in the metal processing
- For the double occupation control of sheet metal



M12x1 - analog range 0...4 mm non flush - Output 4...20 mA

TYPE	IGA 104 GI
Product ID	P31128
Thread/sleeve	M12x1
Operating Distance sn	non-flush
Analog range	0 ... 4 mm
Output	analog output 4...20 mA
Supply voltage	18 ... 27 VDC
Current consumption max.	40 mA
Output current	23 mA
Linearity deviation	10 %
Load resistance RL	< 4 kΩ
Ambient temperature	-25 ... 70 °C
Temperature deviation	10 %
Material housing	brass-Ni, PBT
Material thread	Br-Ni
Material cap	PBT
Protection [EN 60529]	IP 67
Electrical connection	2 m PVC-cable 3x0.34 mm ²

Technical Image



Pin Map

