

Specially sealed sensors - climatic proofed for use in a temperature range up to 120°C | IGMF 02 GSP

- Inductive proximity switches resistant against electromagnetic interference which might arise from cables or radiation.
- For use in systems with challenging EMC conditions
- Customer-specific adaptations
- For the detection of metallic objects,
- presence detection,
- Position and movement monitoring,
- Object counting and
- Speed control on conveyor belts

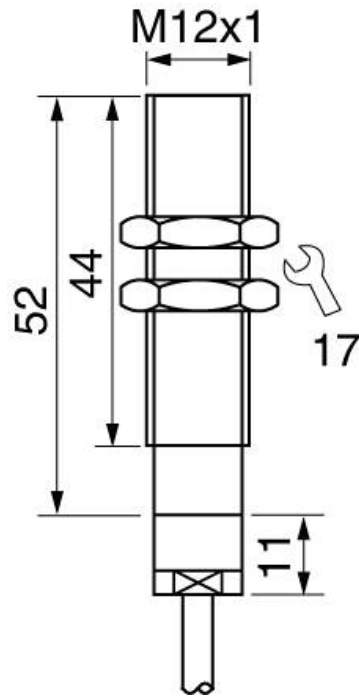


M12x1 - sn 2 mm flush - Output PNP NO

TYPE	IGMF 02 GSP
Product ID	P31132
Thread/sleeve	M12x1
Operating Distance sn	2 mm flush
Output	switching output
Output function	PNP-NO
Supply voltage	10...30 VDC
Current consumption max.	4 mA
Residual current	1
Switching current max.	200 mA
Overcurrent release	230 mA
Voltage drop max.	2 V
Residual ripple	10 %
Switching frequency	1000 Hz
Ambient temperature	-25 ... 120 °C
EMC-class	A
Material housing	stainless steel AISI 316 Ti, stainless steel, PTFE
Material thread	stainless steel AISI 316 Ti (A4)

Material cap	PTFE
Protection [EN 60529]	IP 68 + IP 69K
Electrical connection	2 m FEP-cable 3x0.34 mm ²

Technical Image



Pin Map

