

All metal sensors | IGBS 020 GSP

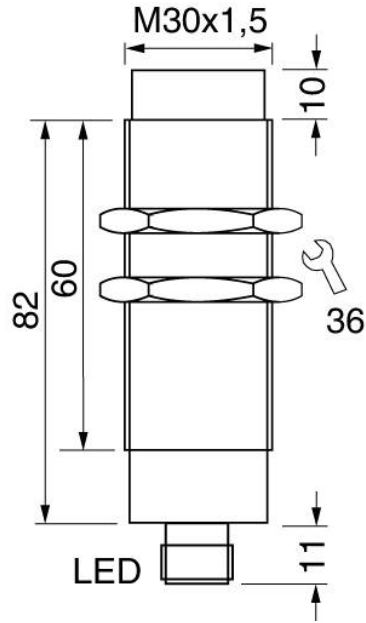
- All metal switch
- Constant switching distance for all metals
- Switching distances up to 20 mm
- For the detection of objects from very different metals, such as iron and aluminium
- With one switching distance



M30x1.5 - sn 20 mm non flush - Output PNP NO

TYPE	IGBS 020 GSP
Product ID	P31136
Thread/sleeve	M30x1,5
Operating Distance sn	20 mm non-flush
Output	switching output
Output function	PNP-NO
Supply voltage	10 ... 30 VDC
Current consumption max.	25 mA
Switching current max.	200 mA
Short circuit proof	yes
Reverse polarity protection	✓
Voltage drop max.	2 V
Switching frequency	300 Hz
Ambient temperature	-25 ... 75 °C
EMC-class	A
Material housing	brass-Ni, PBT
Material thread	Br-Ni
Material cap	PBT
Protection [EN 60529]	IP 67
Electrical connection	M12 connector

Technical Image



Pin Map

