

# Analysis devices for inductive sensors | IKM 120 GA

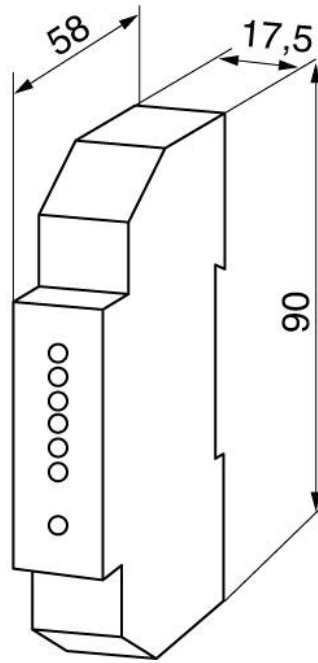
- Amplifier for inductive sensors
- Intuitive operation by means of potentiometer and LED display
- Analog output

**24 V DC - 4...20 mA**



<b>TYPE</b>	IKM 120 GA
<b>Product ID</b>	P31144
<b>Output</b>	analog output 4...20 mA
<b>Supply voltage</b>	24 VDC +/- 20 %
<b>Current consumption max.</b>	30 mA
<b>Load resistance RL</b>	50 ... 500 Ω
<b>Short circuit proof</b>	no
<b>Linearity deviation</b>	0.5 %
<b>Ambient temperature</b>	-20 ... 60 °C
<b>Temperature deviation</b>	2 %
<b>Material housing</b>	PC
<b>Protection [EN 60529]</b>	IP 40
<b>Electrical connection</b>	terminal screws

Technical Image



Pin Map

