

Specially sealed sensors - climatic proofed for use in a temperature range up to 120°C

| IGMP 005 WS

- For use at temperatures down to -60° C
- Resistant to high pressure cleaning due to IP 68 / IP 69
- Also available as variant for explosive areas (ATEX, IECex)
- For outdoor use
- For the detection of baskets, trolleys, valve settings or flaps etc. in refrigeration areas e.g. in the food industry
- For use in the mobile machinery



M18x1 - sn 5 mm flush - Output 2-wire AC NO

TYPE	IGMP 005 WS
Product ID	P31149
Thread/sleeve	M18x1
Operating Distance sn	5 mm flush
Output	switching output
Output function	relay
Supply voltage	20...250 VAC
Current consumption max.	2.5 mA
Switching current max.	400 mA
Short circuit proof	no
Voltage drop max.	4.5 V
Minimum load current	5 mA
Switching frequency	25 Hz
Ambient temperature	-55 ... 60 °C
Limit temperature	-60 °C
Temperature gradient	5 K/min
EMC-class	A
Material housing	stainless steel AISI 316 Ti, stainless steel, PTFE
Material thread	stainless steel AISI 316 Ti (A4)
Material cap	PTFE

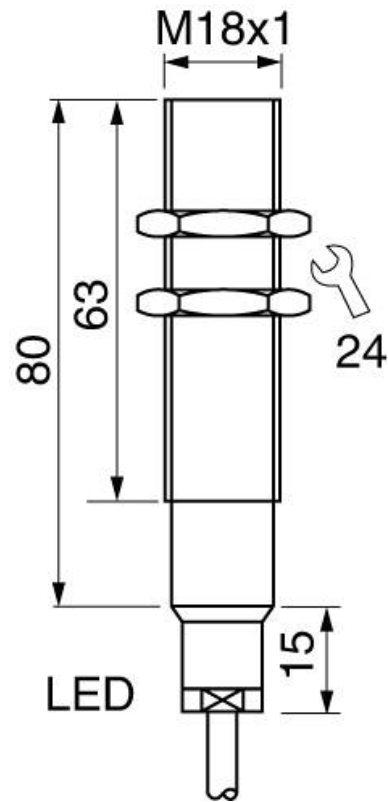
Protection [EN 60529]

IP 68 + IP 69K

Electrical connection

2 m FEP-cable 3x0.75 mm²

Technical Image



Pin Map

