

Inductive sensors for high mechanical loads

| IGVU 10 GSP

- IGV solid stainless steel sensors
- For high mechanical stress
- One piece from stainless steel
- Especially impact-proof Resistant to vibration and shock
- For use under harsh mechanical conditions
- Inductive proximity switches for use in the mobile machinery and
- Heavy duty applications



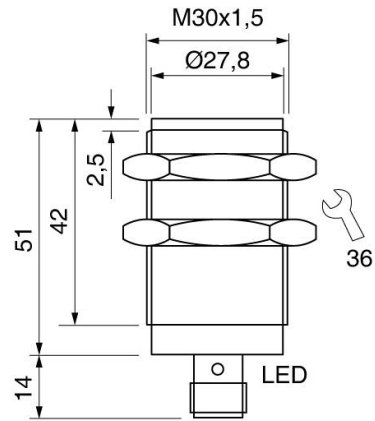
M30x1.5 - sn 10 mm flush - Output PNP NO

TYPE	IGVU 10 GSP
Product ID	P31195
Thread/sleeve	M30x1,5
Operating Distance sn	10 mm flush
Output	switching output
Output function	PNP-NO
Supply voltage	10 ... 30 VDC
Current consumption max.	5 mA
Switching current max.	250 mA
Short circuit proof	yes
Reverse polarity protection	✓
Voltage drop max.	1.5 V
Switching frequency	150 Hz
Ambient temperature	-25 ... 80 °C
EMC-class	A
Material housing	stainless steel AISI 316 L, stainless steel
Material thread	stainless steel AISI 316 L
Material cap	stainless steel AISI 316 L
Display	✓
Protection [EN 60529]	IP 68 + IP 69K

Electrical connection

M12 connector

Technical Image



Pin Map

