

Inductive sensors for high mechanical loads

| IGVU 02 GS

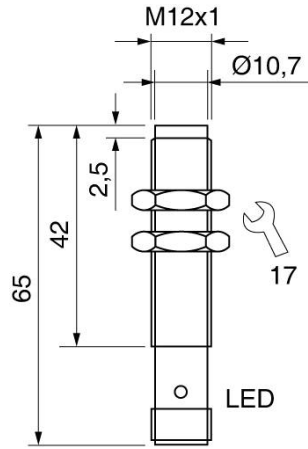
- IGV solid stainless steel sensors
- For high mechanical stress
- One piece from stainless steel
- Especially impact-proof Resistant to vibration and shock
- For use under harsh mechanical conditions
- Inductive proximity switches for use in the mobile machinery and
- Heavy duty applications



M12x1 - sn 2 mm flush - Output 2-wire DC NO

| | |
|------------------------------------|---|
| TYPE | IGVU 02 GS |
| Product ID | P31225 |
| Thread/sleeve | M12x1 |
| Operating Distance sn | 2 mm flush |
| Output | switching output |
| Supply voltage | 8 ... 30 VDC |
| Current consumption max. | 1.5 mA |
| Switching current max. | 150 mA |
| Short circuit proof | yes |
| Reverse polarity protection | ✓ |
| Voltage drop max. | 3.5 V |
| Switching frequency | 180 Hz |
| Ambient temperature | -25 ... 80 °C |
| EMC-class | A |
| Material housing | stainless steel AISI 316 L, stainless steel |
| Material thread | stainless steel AISI 316 L |
| Material cap | stainless steel AISI 316 L |
| Display | ✓ |
| Protection [EN 60529] | IP 68 + IP 69K |
| Electrical connection | M12 connector |

Technical Image



Pin Map

