

Inductive sensors for high mechanical loads

| IGVW 02 GSP

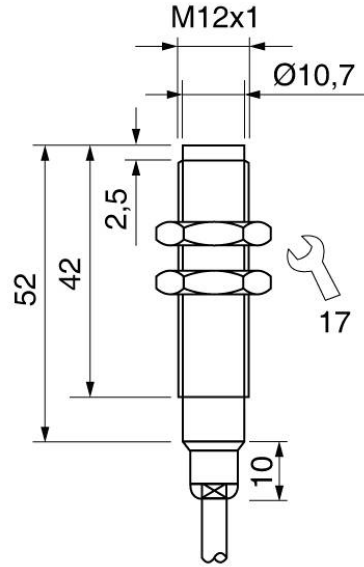
- IGVW solid stainless steel sensors,
- Climatic proofed and water-tight Series IGVW
- Water-tight and resistant to high pressure cleaning up to 110° C,
- Protection class IP 68 / IP 69
- Resistant to vibration and shock
- For use in cleaning areas
- For use during refining processes



M12x1 - sn 2 mm flush - Output PNP NO

TYPE	IGVW 02 GSP
Product ID	P31237
Thread/sleeve	M12x1
Operating Distance sn	2 mm flush
Output	switching output
Output function	PNP-NO
Supply voltage	10 ... 30 VDC
Current consumption max.	5 mA
Switching current max.	250 mA
Short circuit proof	yes
Reverse polarity protection	✓
Voltage drop max.	1.5 V
Switching frequency	180 Hz
Ambient temperature	-10 ... 110 °C
EMC-class	A
Material housing	stainless steel AISI 316 L, stainless steel
Material thread	stainless steel AISI 316 L
Material cap	stainless steel AISI 316 L
Protection [EN 60529]	IP 68 + IP 69K
Electrical connection	2 m FEP-cable 3x0.34 mm ²

Technical Image



Pin Map

