

# Sensors for use at high temperatures | IGMT 008 GSP

- Inductive proximity switches for the extended temperature range up to 120°
- For use at temperatures from -25° C to 120 ° C
- Water-tight according to IP 67
- Variants with up to 110 mm switching distance
- For example, position query of the conveyor belt in belt dryers



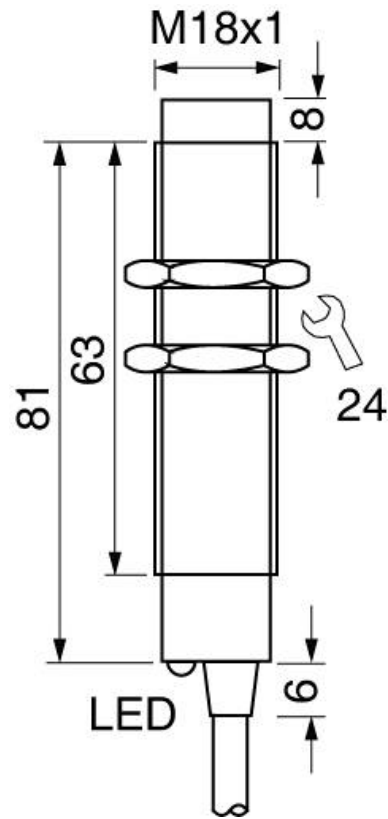
**M18x1 - sn 8 mm non flush - Output PNP NO**

<b>TYPE</b>	IGMT 008 GSP
<b>Product ID</b>	P31291
<b>Thread/sleeve</b>	M18x1
<b>Operating Distance sn</b>	8 mm non-flush
<b>Output</b>	switching output
<b>Output function</b>	PNP-NO
<b>Supply voltage</b>	10...48 VDC
<b>Current consumption max.</b>	4 mA
<b>Switching current max.</b>	200 mA
<b>Short circuit proof</b>	yes
<b>Reverse polarity protection</b>	✓
<b>Voltage drop max.</b>	2 V
<b>Switching frequency</b>	500 Hz
<b>Ambient temperature</b>	-25 ... 120 °C
<b>EMC-class</b>	A
<b>Material housing</b>	brass-Ni, PBT
<b>Material thread</b>	Br-Ni
<b>Material cap</b>	PBT
<b>Display</b>	✓
<b>Protection [EN 60529]</b>	IP 67

Electrical connection

2 m silicone-cable 3x0.34 mm<sup>2</sup>

Technical Image



Pin Map

