

Sensors for use at high temperatures | IGHS 030 S250

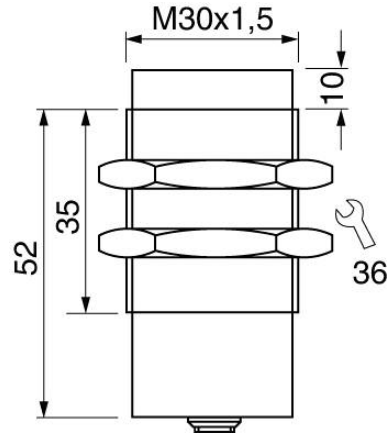
- High temperature sensors for use at temperatures up to 250° C
- Switching distance up to 40 mm
- With optimised hysteresis for the safe detection of larger moving objects
- High temperature
- Plug connector at the sensor head for rapid and uncomplicated replacement in case of mechanical damage
- Can be used as limit switches or for the position query of trolleys, baskets, workpieces or moulds in drying and furnace technology
- For use in baking lines and belt dryers.



M30x1.5 - sn 15 mm non flush

TYPE	IGHS 030 S250
Product ID	P31298
Thread/sleeve	M30x1,5
Operating Distance sn	15 mm non-flush
Switching frequency	30 Hz
Ambient temperature	0 ... 250 °C
EMC-class	A
Material housing	stainless steel AISI 316 Ti, stainless steel, PEEK
Material thread	stainless steel AISI 316 Ti (A4)
Material cap	PEEK
Protection [EN 60529]	IP 60
Electrical connection	M12 connector
Associated amplifiers	IK 030 GSP

Technical Image



Pin Map

