

## Sensors for use at high temperatures | IGMH 005 GSP-K

- For use at temperatures up to 160° C
- Can be used as limit switches or for the position query of trolleys, baskets, workpieces or moulds in drying and furnace technology
- For use in baking lines and belt dryers



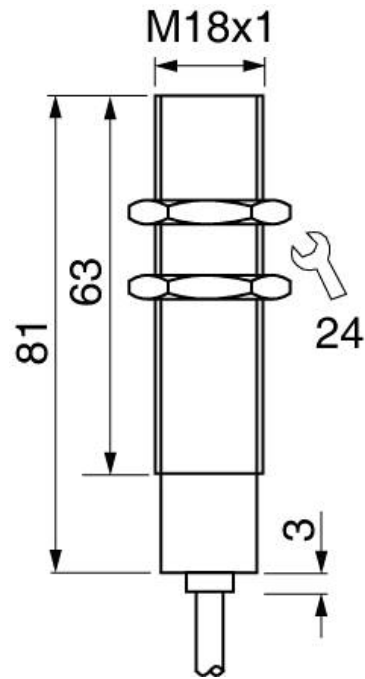
**M18x1 - sn 5 mm flush - Output PNP NO**

<b>TYPE</b>	IGMH 005 GSP-K
<b>Product ID</b>	P31301
<b>Thread/sleeve</b>	M18x1
<b>Operating Distance sn</b>	5 mm flush
<b>Output</b>	switching output
<b>Output function</b>	PNP-NO
<b>Supply voltage</b>	10 ... 30 VDC
<b>Current consumption max.</b>	7 mA
<b>Residual current</b>	2
<b>Switching current max.</b>	200 mA
<b>Short circuit proof</b>	yes
<b>Reverse polarity protection</b>	✓
<b>Voltage drop max.</b>	2 V
<b>Switching frequency</b>	200 Hz
<b>Ambient temperature</b>	-25 ... 160 °C
<b>EMC-class</b>	A
<b>Material housing</b>	stainless steel AISI 316 Ti, PEEK
<b>Material thread</b>	stainless steel AISI 316 Ti (A4)
<b>Material cap</b>	PEEK
<b>Protection [EN 60529]</b>	IP 67

Electrical connection

2 m silicone-cable 3x0.34 mm<sup>2</sup>

Technical Image



Pin Map

