

# Offshore sensors for use under water | IGVO 05 GSP

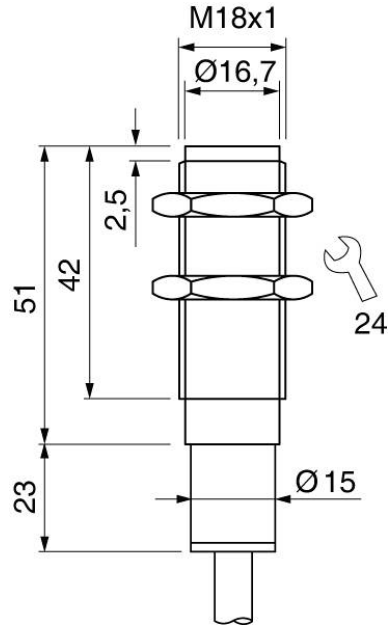
- With one-piece stainless steel sleeve for particular resistance to mechanical stress
- Pressure-resistant up to 300 m water depth
- With longitudinally watertight anti-leak cable for the reliable continuous use under water
- For use in offshore plant
- For use under particularly heavy mechanical stress



## M18x1 - sn 5 mm flush - Output PNP NO

<b>TYPE</b>	IGVO 05 GSP
<b>Product ID</b>	P31365
<b>Thread/sleeve</b>	M18x1
<b>Operating Distance sn</b>	5 mm flush
<b>Output</b>	switching output
<b>Output function</b>	PNP-NO
<b>Supply voltage</b>	10 ... 30 VDC
<b>Current consumption max.</b>	5 mA
<b>Switching current max.</b>	250 mA
<b>Short circuit proof</b>	yes
<b>Reverse polarity protection</b>	✓
<b>Switching frequency</b>	180 Hz
<b>Ambient temperature</b>	-25 ... 70 °C
<b>EMC-class</b>	A
<b>Material housing</b>	stainless steel AISI 316 L
<b>Material thread</b>	stainless steel AISI 316 L
<b>Material cap</b>	stainless steel AISI 316 L
<b>Seal material</b>	FKM
<b>Protection [EN 60529]</b>	IP 68 + IP 69K
<b>Electrical connection</b>	1 m longitudinal water blocked PLWDC-cable 3x0,5 mm <sup>2</sup>

Technical Image



Pin Map

