

# Inductive sensors for zone 0/20 with integrated electronics | IGEX20a 05 GSP

- Ex area of use: Zone 0 and Zone 20
- ATEX- / IECEx-certification
- External amplifier not required as no intrinsically safe supply necessary
- Explosion protection realized by type of protection "encapsulation"
- Installation and commissioning in accordance with EN 60079-14

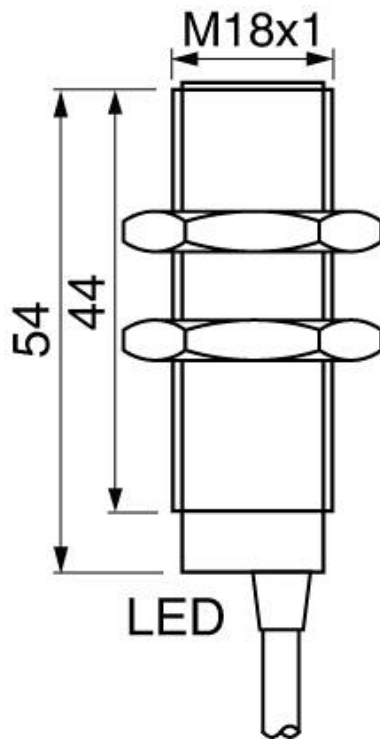


## M18x1 - sn 5 mm flush - Output PNP-NO

|  |  |
|--|--|
| <b>TYPE</b>                              | IGEX20a 05 GSP                               |
| <b>Product ID</b>                        | P31381                                       |
| <b>Thread/sleeve</b>                     | M18x1  |
| <b>Operating Distance sn</b>             | 5 mm flush                                   |
| <b>Output</b>                            | switching output                             |
| <b>Output function</b>                   | PNP-NO                                       |
| <b>Supply voltage</b>                    | 24 VDC +/- 10 %                              |
| <b>Switching current max.</b>            | 50 mA  |
| <b>Rated voltage max.</b>                | 27 VDC                                       |
| <b>Rated current max.</b>                | 50 mA  |
| <b>Ex area of use</b>                    | Zone 0, Zone 1, Zone 20, Zone 21             |
| <b>ATEX Certificate</b>                  | EPS 17 ATEX 1 117 X                          |
| <b>IECEx Certificate</b>                 | IECEx EPS 17.0059X                           |
| <b>UKEX Certificate</b>                  | EPS 22 UKEX 1 085 X                          |
| <b>ATEX marking gas</b>                  | Ex II 1G Ex ma IIC T6...T3 Ga                |
| <b>ATEX Marking dust</b>                 | Ex II 1D Ex ma IIIC T <sub>200</sub> 90°C Da |
| <b>IECEx marking gas</b>                 | Ex ma IIC T6...T3 Ga                         |
| <b>IECEx marking dust</b>                | Ex ma IIIC T <sub>200</sub> 90°C Da          |
| <b>Ambient temperature gas zone 0 T6</b> | -20 ... 60 °C                                |
| <b>Ambient temperature gas zone 0 T5</b> | -20 ... 60 °C                                |

|  |  |
|--|--|
| <b>Ambient temperature gas zone 0 T4</b>   | -20 ... 60 °C                          |
| <b>Ambient temperature gas zone 0 T3</b>   | -20 ... 60 °C                          |
| <b>Ambient temperature dust in zone 20</b> | -20 ... 60 °C                          |
| <b>Material housing</b>                    | brass-Ni, PA, POM                      |
| <b>Display</b>                             | LED yellow                             |
| <b>Protection [EN 60529]</b>               | IP 67                                  |
| <b>Electrical connection</b>               | 2 m PUR-cable 3x0,34 mm <sup>2</sup>   |
| <b>Note</b>                                | with longer cable available on request |

Technical Image



Pin Map

