

Inductive sensors for zone 0/20 with integrated electronics | IGEX20a 15 GSP

- Ex area of use: Zone 0 and Zone 20
- ATEX- / IECEx-certification
- External amplifier not required as no intrinsically safe supply necessary
- Explosion protection realized by type of protection "encapsulation"
- Installation and commissioning in accordance with EN 60079-14

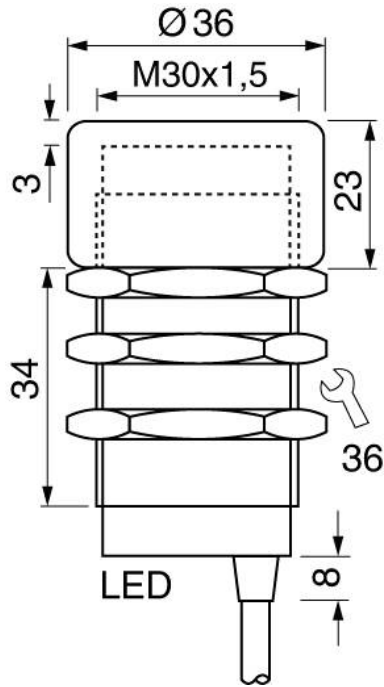


M30x1.5 - sn 15 mm non flush - Output PNP-NO

TYPE	IGEX20a 15 GSP
Product ID	P31384
Thread/sleeve	M30x1,5
Operating Distance sn	15 mm non-flush
Output	switching output
Output function	PNP-NO
Supply voltage	24 VDC +/- 10 %
Switching current max.	50 mA
Rated voltage max.	27 VDC
Rated current max.	50 mA
Ex area of use	Zone 0, Zone 1, Zone 20, Zone 21
ATEX Certificate	EPS 17 ATEX 1 117 X
IECEx Certificate	IECEx EPS 17.0059X
UKEX Certificate	EPS 22 UKEX 1 085 X
ATEX marking gas	Ex II 1G Ex ma IIC T6...T3 Ga
ATEX Marking dust	Ex II 1D Ex ma IIIC T ₂₀₀ 90°C Da
IECEx marking gas	Ex ma IIC T6...T3 Ga
IECEx marking dust	Ex ma IIIC T ₂₀₀ 90°C Da
Ambient temperature gas zone 0 T6	-20 ... 60 °C
Ambient temperature gas zone 0 T5	-20 ... 60 °C

Ambient temperature gas zone 0 T4	-20 ... 60 °C
Ambient temperature gas zone 0 T3	-20 ... 60 °C
Ambient temperature dust in zone 20	-20 ... 60 °C
Material housing	brass-Ni, PA, POM
Display	LED yellow
Protection [EN 60529]	IP 67
Protective cap	x
Electrical connection	2 m PUR-cable 3x0,34 mm ²
Note	with longer cable available on request

Technical Image



Pin Map

