

Inductive sensors for zone 0/20 with integrated electronics | IGEX20Pa 05 GSP

- Ex area of use: Zone 0 and Zone 20
- ATEX- / IECEx-certification
- External amplifier not required as no intrinsically safe supply necessary
- Explosion protection realized by type of protection "encapsulation"
- Installation and commissioning in accordance with EN 60079-14
- For use at temperatures down to -60 °C
- Waterproof up to 30 m (IP 68)
- For use in refrigeration systems and cooling processes or the outdoor use at refineries, filling stations and platforms

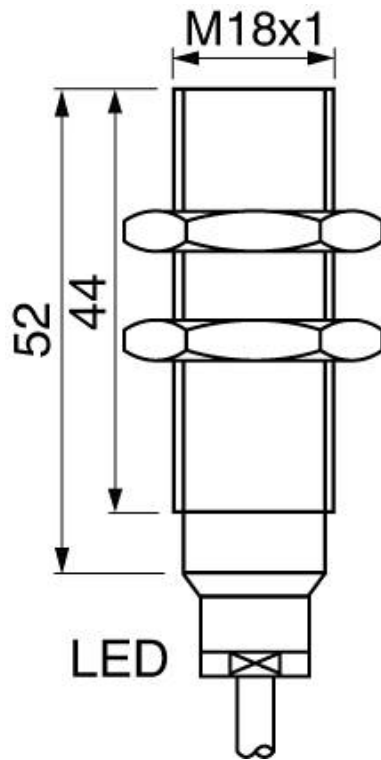


M18x1 - sn 5 mm flush - Output PNP-NO

TYPE	IGEX20Pa 05 GSP
Product ID	P31387
Thread/sleeve	M18x1
Operating Distance sn	5 mm flush
Output	switching output
Output function	PNP-NO
Supply voltage	24 VDC +/- 10%
Switching current max.	50 mA
Rated voltage max.	27 VDC
Rated current max.	50 mA
Ex area of use	Zone 0, Zone 1, Zone 20, Zone 21
ATEX Certificate	EPS 17 ATEX 1 117 X
IECEx Certificate	IECEx EPS 17.0059X
UKEX Certificate	EPS 22 UKEX 1 085 X
ATEX marking gas	Ex II 1G Ex ma IIC T6...T3 Ga
ATEX Marking dust	Ex II 1D Ex ma IIIC T ₂₀₀ 90°C Da
IECEx marking gas	Ex ma IIC T6...T3 Ga
IECEx marking dust	Ex ma IIIC T ₂₀₀ 90°C Da

Ambient temperature gas zone 0 T6	-60 ... 60 °C
Ambient temperature gas zone 0 T5	-60 ... 60 °C
Ambient temperature gas zone 0 T4	-60 ... 60 °C
Ambient temperature gas zone 0 T3	-60 ... 60 °C
Ambient temperature dust in zone 20	-60 ... 60 °C
Material housing	stainless steel AISI 316 Ti, POM, PTFE, PVDF
Display	LED yellow
Protection [EN 60529]	IP 68 (3 bar)
Electrical connection	2 m FEP-cable 3x0.34 mm ²
Note	with longer cable available on request

Technical Image



Pin Map

