

# Intrinsically safe sensors for zone 0/20 |

## IGEXHa 02

- Intrinsically safe sensors for zone 0/20
- With ATEX- and IECEx-certification
- Amplifier IKMb... is required for operation
- Sensor for high temperatures up to 140 °C
- Waterproof up to 30 m (IP 68) and resistant to high-pressure cleaning (IP 69)
- Connection: 2 m FEP-cable

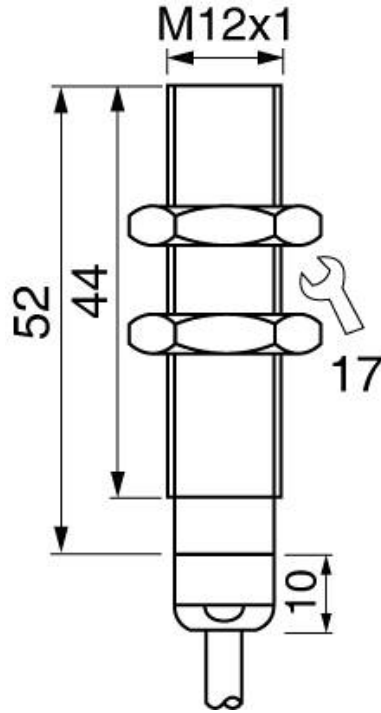


### M12x1 - sn 2 mm flush

<b>TYPE</b>	IGEXHa 02
<b>Product ID</b>	P31400
<b>Thread/sleeve</b>	M12x1
<b>Operating Distance sn</b>	2 mm flush
<b>Ex area of use</b>	Zone 0, Zone 1, Zone 20, Zone 21
<b>ATEX Certificate</b>	EPS 17 ATEX 1 173 X
<b>IECEx Certificate</b>	IECEx EPS 17.0087X
<b>UKEX Certificate</b>	EPS 22 UKEX 1 139 X
<b>ATEX marking gas</b>	Ex II 1G Ex ia IIC T6...T3 Ga
<b>ATEX Marking dust</b>	Ex II 1D Ex ia IIIC T <sub>200</sub> 145°C Da
<b>IECEx marking gas</b>	Ex ia IIC T6...T3 Ga
<b>IECEx marking dust</b>	Ex ia IIIC T <sub>200</sub> 145°C Da
<b>Maximum values</b>	U <sub>i</sub> = 12.6 V / I <sub>i</sub> = 15.9 mA / P <sub>i</sub> = 50 mW / C <sub>i</sub> = 66.2 nF / L <sub>i</sub> = 1.2 mH
<b>Ambient temperature gas zone 0 T6</b>	-25 ... 75 °C
<b>Ambient temperature gas zone 0 T5</b>	-25 ... 90 °C
<b>Ambient temperature gas zone 0 T4</b>	-25 ... 125 °C
<b>Ambient temperature gas zone 0 T3</b>	-25 ... 140 °C
<b>Ambient temperature dust in zone 20</b>	-25 ... 140 °C

<b>Material housing</b>	stainless steel AISI 316 Ti, PEEK
<b>Protection [EN 60529]</b>	IP 68 (3 bar), IP 69
<b>Electrical connection</b>	2 m FEP-cable 2x0.34 mm <sup>2</sup>
<b>Note</b>	with longer cable available on request

Technical Image



Pin Map

