

Intrinsically safe sensors for zone 0/20 |

IGEXHa 04

- Intrinsically safe sensors for zone 0/20
- With ATEX- and IECEx-certification
- Amplifier IKMb... is required for operation
- Sensor for high temperatures up to 140 °C
- Waterproof up to 30 m (IP 68) and resistant to high-pressure cleaning (IP 69)
- Connection: 2 m FEP-cable



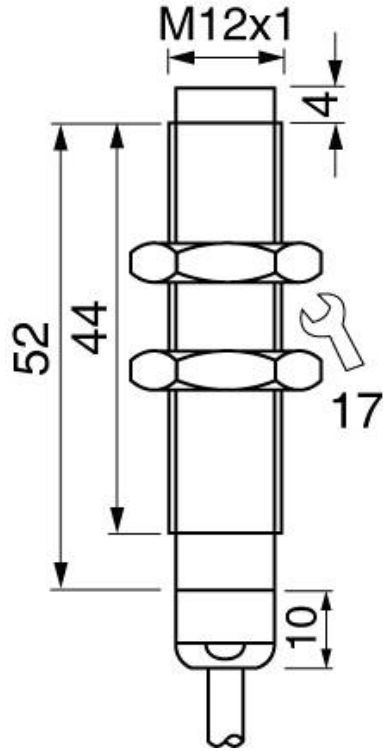
M12x1 - sn 4 mm non flush

TYPE	IGEXHa 04
Product ID	P31401
Thread/sleeve	M12x1
Operating Distance sn	4 mm non-flush
Ex area of use	Zone 0, Zone 1, Zone 20, Zone 21
ATEX Certificate	EPS 17 ATEX 1 173 X
IECEx Certificate	IECEx EPS 17.0087X
UKEX Certificate	EPS 22 UKEX 1 139 X
ATEX marking gas	Ex II 1G Ex ia IIC T6...T3 Ga
ATEX Marking dust	Ex II 1D Ex ia IIIC T ₂₀₀ 145°C Da
IECEx marking gas	Ex ia IIC T6...T3 Ga
IECEx marking dust	Ex ia IIIC T ₂₀₀ 145°C Da
Maximum values	U _i = 12.6 V / I _i = 15.9 mA / P _i = 50 mW / C _i = 66.2 nF / L _i = 1.2 mH
Ambient temperature gas zone 0 T6	-25 ... 75 °C
Ambient temperature gas zone 0 T5	-25 ... 90 °C
Ambient temperature gas zone 0 T4	-25 ... 125 °C
Ambient temperature gas zone 0 T3	-25 ... 140 °C
Ambient temperature dust in zone 20	-25 ... 140 °C

Material housing	stainless steel AISI 316 Ti, PEEK
Protection [EN 60529]	IP 68 (3 bar), IP 69
Electrical connection	2 m FEP-cable 2x0.34 mm ²

Note with longer cable available on request

Technical Image



Pin Map

