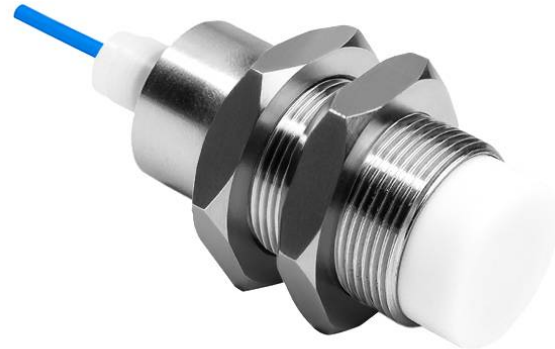


Intrinsically safe sensors for zone 0/20 | IGEXPa 15

- Intrinsically safe sensors for zone 0/20
- With ATEX- and IECEx-certification
- Amplifier IKMb... is required for operation
- For use under rough climatic conditions down to -60 °C
- Connection: 2 m FEP-cable
- Waterproof up to 30 m (IP 68) and resistant to high-pressure cleaning (IP 69)
- For use in refrigeration systems and cooling processes and outdoor areas

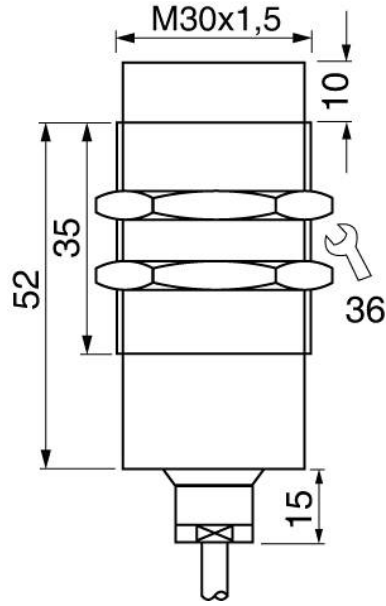


M30x1.5 - sn 15 mm non flush

TYPE	IGEXPa 15
Product ID	P31411
Thread/sleeve	M30x1,5
Operating Distance sn	15 mm non-flush
Ex area of use	Zone 0, Zone 1, Zone 20, Zone 21
ATEX Certificate	EPS 17 ATEX 1 173 X
IECEx Certificate	IECEx EPS 17.0087X
UKEX Certificate	EPS 22 UKEX 1 139 X
ATEX marking gas	Ex II 1G Ex ia IIC T6...T3 Ga
ATEX Marking dust	Ex II 1D Ex ia IIIC T ₂₀₀ 65°C Da
IECEx marking gas	Ex ia IIC T6...T3 Ga
IECEx marking dust	Ex ia IIIC T ₂₀₀ 65°C Da
Maximum values	U _i = 12.6 V / I _i = 15.9 mA / P _i = 50 mW / C _i = 66.2 nF / L _i = 1.2 mH
Ambient temperature gas zone 0 T6	-60 ... 60 °C
Ambient temperature gas zone 0 T5	-60 ... 60 °C
Ambient temperature gas zone 0 T4	-60 ... 60 °C
Ambient temperature gas zone 0 T3	-60 ... 60 °C

Ambient temperature dust in zone 20	-60 ... 60 °C
Material housing	stainless steel AISI 316 Ti, PTFE, PVDF
Protection [EN 60529]	IP 68 (3 bar), IP 69
Electrical connection	2 m FEP-cable 2x0.34 mm ²
Note	with longer cable available on request

Technical Image



Pin Map

