

# Intrinsically safe sensors for zone 0/20 |

## IGEXUa 05

- Intrinsically safe sensors for zone 0/20
- With ATEX-and IECEx-certification
- Amplifier IKMb... is required for operation
- Connection: M12 connector

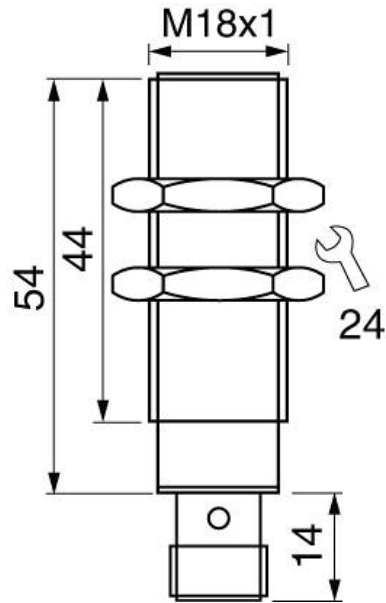


### M18x1 - sn 5 mm flush

|  |  |
|--|--|
| <b>TYPE</b>                                | IGEXUa 05  |
| <b>Product ID</b>                          | P31414   |
| <b>Thread/sleeve</b>                       | M18x1  |
| <b>Operating Distance sn</b>               | 5 mm flush   |
| <b>Ex area of use</b>                      | Zone 0, Zone 1, Zone 20, Zone 21   |
| <b>ATEX Certificate</b>                    | EPS 17 ATEX 1 173 X  |
| <b>IECEx Certificate</b>                   | IECEx EPS 17.0087X   |
| <b>UKEX Certificate</b>                    | EPS 22 UKEX 1 139 X  |
| <b>ATEX marking gas</b>                    | Ex II 1G Ex ia IIC T6...T3 Ga  |
| <b>ATEX Marking dust</b>                   | Ex II 1D Ex ia IIIC T <sub>200</sub> 80 °C Da  |
| <b>IECEx marking gas</b>                   | Ex ia IIC T6...T3 Ga   |
| <b>IECEx marking dust</b>                  | Ex ia IIIC T <sub>200</sub> 80 °C Da   |
| <b>Maximum values</b>                      | U <sub>i</sub> = 12.6 V / I <sub>i</sub> = 15.9 mA / P <sub>i</sub> = 50 mW / C <sub>i</sub> = 66.2 nF / L <sub>i</sub> = 1.2 mH |
| <b>Ambient temperature gas zone 0 T6</b>   | -25 ... 75 °C  |
| <b>Ambient temperature gas zone 0 T5</b>   | -25 ... 75 °C  |
| <b>Ambient temperature gas zone 0 T4</b>   | -25 ... 75 °C  |
| <b>Ambient temperature gas zone 0 T3</b>   | -25 ... 75 °C  |
| <b>Ambient temperature dust in zone 20</b> | -25 ... 75 °C  |

|                              |               |
|------------------------------|---------------|
| <b>Material housing</b>      | brass-Ni, PA  |
| <b>Protection [EN 60529]</b> | IP 67         |
| <b>Electrical connection</b> | M12 connector |

Technical Image



Pin Map

