

Sensors for zone 2/22 with integrated electronics | IGVEX22c 02 GSP-K

- Ex area of use: Zone 2 and Zone 22
- One piece stainless steel housing
- IECEx-certification / ATEX certificate of conformity
- External amplifier not required as no intrinsically safe supply necessary
- Explosion protection realized by type of protection "increased safety" and "protection by enclosure"
- Installation and commissioning in accordance with EN 60079-14

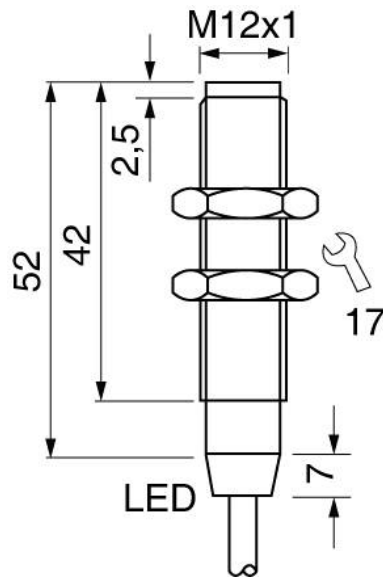


M12x1 - sn 2 mm flush - Output PNP-NO - with silicone-cable

TYPE	IGVEX22c 02 GSP-K
Product ID	P31421
Thread/sleeve	M12x1
Operating Distance sn	2 mm
Output	switching output
Output function	PNP-NO
Supply voltage	24 VDC +/- 10%
Switching current max.	100 mA
Rated voltage max.	30 VDC
Switching frequency	180 Hz
Ex area of use	Zone 2, Zone 22
IECEx Certificate	IECEx EPS 17.0042X
UKEX Certificate	EPS 22 UKEX 1 270 X
Certificate of conformity	EPS 17 ATEX 1 085 X
ATEX marking gas	Ex II 3G Ex ec IIC T6...T3 Gc
ATEX Marking dust	Ex II 3D Ex tc IIIC T80°C Dc
IECEx marking gas	Ex ec IIC T6...T3 Gc
IECEx marking dust	Ex tc IIIC T80°C Dc
Ambient temperature and medium temperature T6 in zone 2	-20 ... 60 °C

Ambient temperature and medium temperature T5 in zone 2	-20 ... 60 °C
Ambient temperature and medium temperature T4 in zone 2	-20 ... 60 °C
Ambient temperature and medium temperature T3 in zone 2	-20 ... 60 °C
Ambient temperature and medium temperature dust zone 22	-20 ... 60 °C
Material housing	stainless steel AISI 316 L, PSU
Display	LED red
Protection [EN 60529]	IP 67
Electrical connection	2 m silicone-cable 3x0.34 mm ²

Technical Image



Pin Map

