

# Specially sealed sensors - climatic proofed for use in a temperature range up to 120°C

## | IGMF 005 GOP

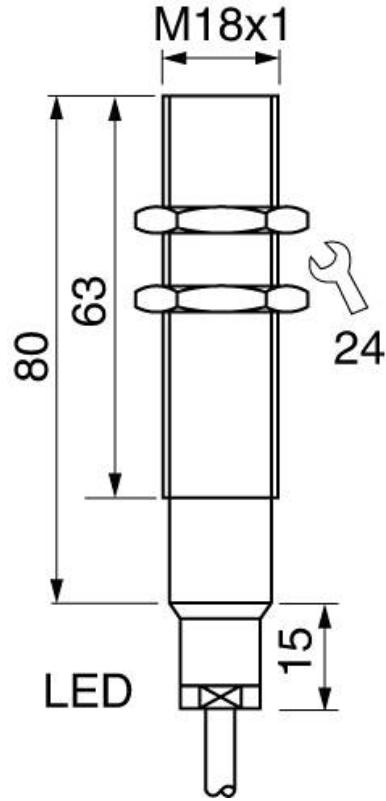
- For use at temperatures up to 120°C
- Climatic proofed Water-tight and resistant to high pressure cleaning
- For use in cleaning processes
- Detection of baskets, trolleys, objects in washing plant
- For use in the food processing, steel and paper industries



### M18x1 - sn 5 mm flush - Output PNP NC

<b>TYPE</b>	IGMF 005 GOP
<b>Product ID</b>	P31425
<b>Thread/sleeve</b>	M18x1
<b>Operating Distance sn</b>	5 mm flush
<b>Medium</b>	aggressive Media
<b>Output function</b>	PNP-NC
<b>Supply voltage</b>	10...30 VDC
<b>Current consumption max.</b>	4 mA
<b>Residual current</b>	1
<b>Overcurrent release</b>	230 mA
<b>Voltage drop max.</b>	2 V
<b>Switching frequency</b>	150 Hz
<b>Ambient temperature</b>	-25 ... 120 °C
<b>EMC-class</b>	A
<b>Material housing</b>	stainless steel AISI 316 Ti, stainless steel, PTFE
<b>Material thread</b>	stainless steel AISI 316 Ti (A4)
<b>Material cap</b>	PTFE
<b>Protection [EN 60529]</b>	IP 68 + IP 69K
<b>Electrical connection</b>	2 m FEP-cable 3x0.34 mm <sup>2</sup>

Technical Image



Pin Map

