

Specially sealed sensors - climatic proofed for use in a temperature range up to 120°C | IGMF 015 GSP

- For use at temperatures up to 120°C
- Climatic proofed Water-tight and resistant to high pressure cleaning
- For use in cleaning processes
- Detection of baskets, trolleys, objects in washing plant
- For use in the food processing, steel and paper industries



M30x1.5 - sn 15 mm non flush - Output PNP NO

| | |
|---------------------------------|--|
| TYPE | IGMF 015 GSP |
| Product ID | P31430 |
| Thread/sleeve | M30x1,5 |
| Operating Distance sn | 15 mm non-flush |
| Output | switching output |
| Output function | PNP-NO |
| Supply voltage | 10...30 VDC |
| Current consumption max. | 4 mA |
| Residual current | 1 |
| Switching current max. | 200 mA |
| Overcurrent release | 230 mA |
| Voltage drop max. | 2 V |
| Residual ripple | 0 % |
| Minimum load current | 0 mA |
| Switching frequency | 1000 Hz |
| Ambient temperature | -25 ... 120 °C |
| EMC-class | A |
| Material housing | stainless steel AISI 316 Ti, stainless steel, PTFE |
| Material thread | stainless steel AISI 316 Ti (A4) |
| Material cap | PTFE |

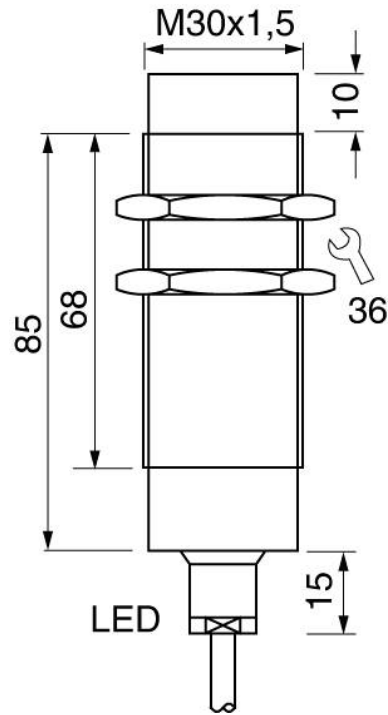
Protection [EN 60529]

IP 68 + IP 69K

Electrical connection

2 m FEP-cable 3x0.34 mm²

Technical Image



Pin Map

