

Specially sealed sensors - climatic proofed for use in a temperature range up to 120°C | IGMW 005 GOP

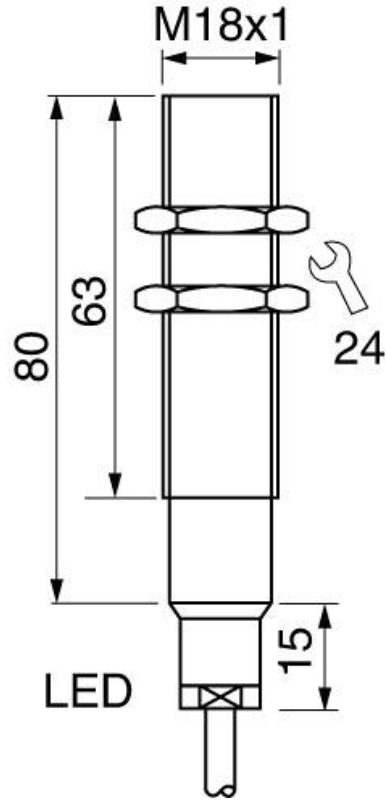
- For use at temperatures up to 120°C
- Climatic proofed Water-tight and resistant to high pressure cleaning
- Particularly resistant to steam
- For use in cleaning processes
- For use in cooking processes



M18x1 - sn 5 mm flush - Output PNP NC

TYPE	IGMW 005 GOP
Product ID	P31433
Thread/sleeve	M18x1
Operating Distance sn	5 mm flush
Output function	PNP-NC
Supply voltage	10...30 VDC
Current consumption max.	4 mA
Residual current	1
Overcurrent release	230 mA
Voltage drop max.	2 V
Switching frequency	150 Hz
Ambient temperature	-25 ... 120 °C
EMC-class	A
Material housing	stainless steel AISI 316 Ti, stainless steel, PTFE
Material thread	stainless steel AISI 316 Ti (A4)
Material cap	PTFE
Protection [EN 60529]	IP 68 + IP 69K
Electrical connection	2 m FEP-cable 3x0.34 mm ²

Technical Image



Pin Map

