

Specially sealed sensors - climatic proofed for use in a temperature range up to 120°C | IGFW 015 GOP

- For use in wet and warm processes and aggressive fluids
- Resistant to roller oil
- For use at temperatures up to 120°C
- Climatic proofed
- For use in environments with heavily seeping oil
- For use in the steel industry



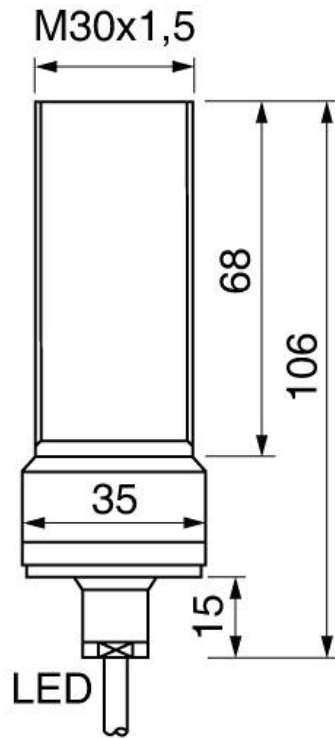
M30x1.5 - sn 14 mm non flush - Output PNP NC

TYPE	IGFW 015 GOP
Product ID	P31456
Thread/sleeve	M30x1,5
Operating Distance sn	10 mm flush
Temperature deviation (25...70°C)	10 %
Temperature deviation (25...120°C)	20 %
Output function	PNP-NC
Supply voltage	10...30 VDC
Current consumption max.	4 mA
Overcurrent release	230 mA
Reverse polarity protection	✓
Voltage drop max.	2 V
Residual ripple	10 %
Switching frequency	1000 Hz
Ambient temperature	-25 ... 120 °C
EMC-class	A
Material housing	PTFE
Material thread	PTFE
Material cap	PTFE

Protection [EN 60529]

IP 68 + IP 69K

Technical Image



Pin Map

