

## KNK 090 GSP

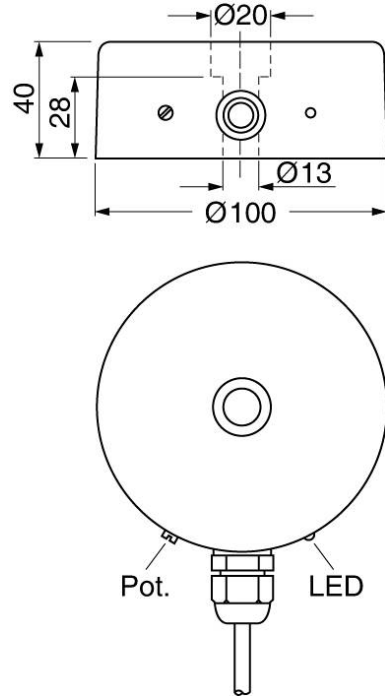
- Capacitive proximity switches
- For the detection of non-metallic and metallic objects
- With high switching distance up to 100 mm Hysteresis
- For large moving objects
- For the detection of large moving non-metallic and metallic objects



**Ø100 mm - sn 70 mm non flush - Output PNP-NO**

<b>TYPE</b>	KNK 090 GSP
<b>Product ID</b>	P40105
<b>Operating Distance sn</b>	70 mm non-flush
<b>Adjustment range</b>	1 ... 120 mm
<b>Output</b>	switching output
<b>Output function</b>	PNP-NO
<b>Supply voltage</b>	10 ... 55 VDC
<b>Current consumption max.</b>	4 mA
<b>Switching current max.</b>	400 mA
<b>Short circuit proof</b>	yes
<b>Overcurrent release</b>	800 mA
<b>Reverse polarity protection</b>	✓
<b>Voltage drop max.</b>	1.5 V
<b>Residual current</b>	2 mA
<b>Switching frequency</b>	10 Hz
<b>Ambient temperature</b>	-25 ... 70 °C
<b>EMC-class</b>	A
<b>Material housing</b>	PBT
<b>Display</b>	✓
<b>Protection [EN 60529]</b>	IP 67
<b>Electrical connection</b>	2 m PVC-cable 3x0.5 mm <sup>2</sup>

Technical Image



Pin Map

